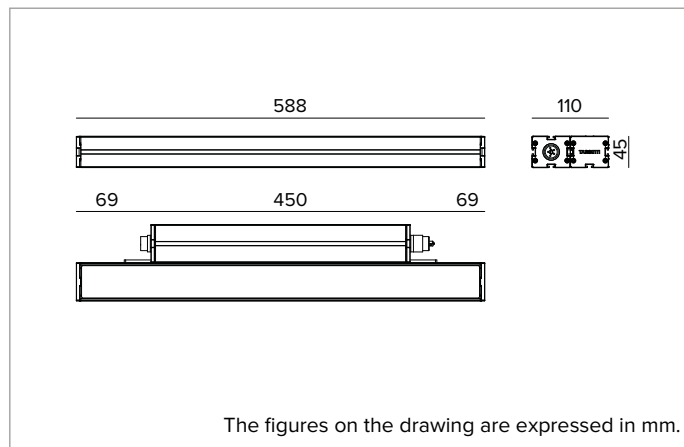


E0552GVL830ELFW | JEDI NOVA 55 Projector Side Box

Adjustable linear LED projector



	3000K	H(m)	D1(m)	D2(m)	E _{max} (lx)		
	Ra80	121°	11°				
Fixture Power	35W	1	3.55	0.19	4017		
Source Flux	4548lm	2	7.10	0.38	1004		
Fixture Flux	2502lm	3	10.65	0.57	446		
Efficacy	71lm/W	4	14.19	0.76	251		
TS2131	I _{max} =964cd/klm	I _{max}	4383cd	5	17.74	0.95	161



SOURCE

High Power High Efficiency Ra80 linear LED board.

Nominal power: 31.5

Nominal flux: 4548lm

Colour rendering index: 80

CCT nominal: 3000K

ILLUMINOTECHNICAL CHARACTERISTICS

Optic made of optical grade PMMA TIR lenses and a holographic filter. Comfort version with integrated optical accessory: longitudinal anti-glare screen in black painted steel.

Optic: LENS

Beam angles: GRZ 10°x120°

Optical efficiency: 55%

Fixture flux: 2502lm

Luminous efficacy: 71lm/W

Photobiological safety: Compliant with RG1 low risk group

MECHANICAL CHARACTERISTICS

Extruded anodised aluminium 15μ body. Extra clear 5mm thick glass flat screen. The body of the fixture is adjustable and can be installed away from the mounting surface using accessory snap brackets.

Colour and finish: Florentine white

Dimensions: L=588mm

Weight: 3.2Kg

Version: Comfort

Degree of protection: IP66,IP67,IP68,IP69

Mechanical Resistance: IK07

ELECTRICAL CHARACTERISTICS

Integrated driver available in the ON-OFF version (positioned laterally to the optical body). Supplied with through-wiring with longitudinal sealing IN/OUT panel connectors (the sealing limits the risk of humidity raising towards the driver/optical body). Luminaire compliant with EN 60598-2-22 for power supply from a centralised emergency system CPSS (Central Power Supply System), not incorporated in the luminaire - high risk areas excluded. The default power and flux are 100% in AC and 100% in DC.

Fixture Power: 35W

Power supply: 220-240Vac 50/60Hz

Insulation Class: CLASS 1

Type of driver / Control: ON-OFF

Driver included: YES

Class F: YES

Ambient temperature: 0°C / +35°C

INSTALLATION

To be completed with powder coated stainless steel fixed or adjustable brackets (available in different lengths).

NOTES

110-277Vac version available on request.

WARRANTY

5 years.

WARNING

Luminaire designed for disposal/recycling at end-of-life. Replaceable (LED only) light source by a professional. Replaceable control gear by a professional.

Due to the technological evolution of the electronic components, the data provided may be updated, and as such, confirmation must be requested during the order process.

Luminous flux and power supply have +/-10% tolerances with respect to the indicated value. tq +25°C (CIE 121).

We reserve the right to make technical changes.

Targetti Sankey S.r.l.
Via Pratese, 164
50145 Firenze - Italy
Tel: +39 055 37911
targetti.com
targetti@targetti.com

CCIAA Firenze
Share Capital:
€ 500.000,00
VAT N. (IT):
01537660480
R.E.A: FI-275656

TARGETTI

E0552GVL830ELFW | JEDI NOVA 55 Projector Side Box

Adjustable linear LED projector

Related codes

Bracket



Colour	Code
●	A108BT

Fixed bracket kit in powder-coated stainless steel for surface installation (2 pieces).



L mm	Version	Colour	Code
57	Short	○	A109FW

Adjustable bracket kit in powder-coated stainless steel for surface installation (2 pieces).
Rotation +/-90°.



L mm	Version	Colour	Code
157	Medium	○	A110FW

Adjustable bracket kit in powder-coated stainless steel for surface installation (2 pieces).
Rotation +/-90°.



L mm	Version	Colour	Code
303	Long	○	A111ZFW
453	Long	○	A111YFW
603	Long	○	A111XFW

Adjustable bracket kit in powder-coated stainless steel for surface installation (2 pieces).
Rotation +/-90°.

Mounting System



H mm	Colour	Code
181	●	A112

Earthspike.
Powder coated stainless steel.
To be used with A108, A109, A110.

Accessories

Connector



Code
A117

IP66/IP68 female connector.
5 poles (STANDARD 3G2,5mm² MAX, DALI 5G1,5mm² MAX).
Cable diameter range from 7 to 12mm.



Code
A118

Male/female IP66/IP68 connector kit.
5 poles (STANDARD 3G2,5mm² MAX, DALI 5G1,5mm² MAX).
Cable diameter range from 7 to 12mm.

Due to the technological evolution of the electronic components, the data provided may be updated, and as such, confirmation must be requested during the order process.
Luminous flux and power supply have +/-10% tolerances with respect to the indicated value. tq +25°C (CIE 121).

We reserve the right to make technical changes.

Targetti Sankey S.r.l.
Via Pratese, 164
50145 Firenze - Italy
Tel: +39 055 37911
targetti.com
targetti@targetti.com

CCIAA Firenze
Share Capital:
€ 500.000,00
VAT N. (IT):
01537660480
R.E.A: FI-275656

TARGETTI

E0552GVL830ELFW | JEDI NOVA 55 Projector Side Box

Adjustable linear LED projector

Cable



	L mm	Code
	1000	A120Z
	2000	A120Y
	3000	A120X

Connection cable.
Complete with 5 pole connectors.
For the ON-OFF and DALI version.

Due to the technological evolution of the electronic components, the data provided may be updated, and as such, confirmation must be requested during the order process.

Luminous flux and power supply have +/-10% tolerances with respect to the indicated value. tq +25°C (CIE 121).

We reserve the right to make technical changes.

Targetti Sankey S.r.l.
Via Pratese, 164
50145 Firenze - Italy
Tel: +39 055 37911
targetti.com
targetti@targetti.com

CCIAA Firenze
Share Capital:
€ 500.000,00
VAT N. (IT):
01537660480
R.E.A: FI-275656

TARGETTI